

## Amiad Screen Filter Protecting the Generation 35 Emergency Water Treatment System

By: Omry Levin, Business Development Manager

When a hurricane or other natural disaster strikes, the availability and supply of fresh, clean drinking water becomes a serious matter.

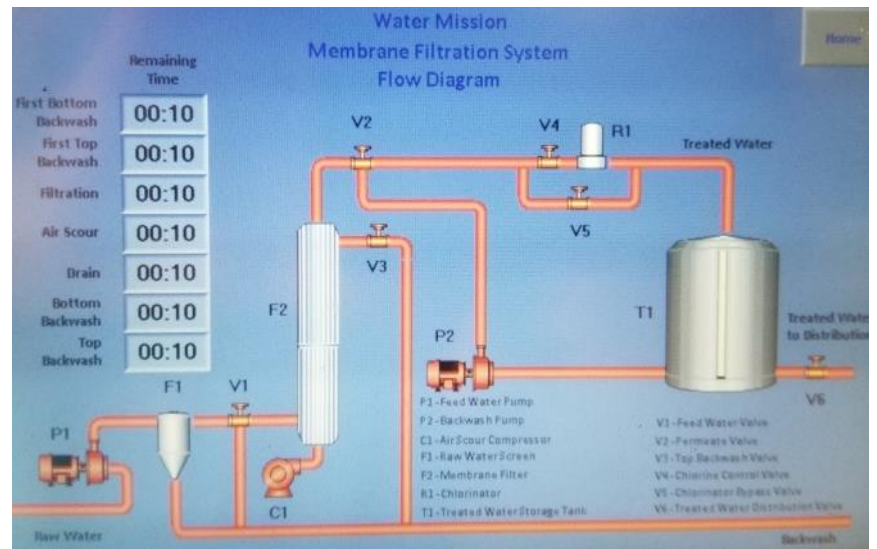
**Water Mission**, founded in Charleston, SC, takes its responsibility to provide clean water very seriously and has initiated mobile filtration units called the **Generation 35 Living Water Treatment** as a global part of their activity.

**Generation 35** is a compact water treatment system designed to provide 10 GPM (2.27 m<sup>3</sup>/h) emergency drinking water for global communities when faced with a natural disaster.

**Amiad Water Systems** is proud to take part by providing reliable and efficient solutions with the **Scanaway** screen filtration.



The **Amiad Scanaway** filter protects the **PENTAIR** membrane system, enabling the sophisticated water treatment unit to be reliable, more efficient and extending the time between rinses and membrane changes for producing safe and clean water.



During an emergency, the last thing you would want to worry about is where to get your next drink of clean water.

Water Mission, Amiad and many other companies are working hard and doing their parts in alleviating these vital concerns.

For more information contact Amiad Water Systems

[www.AmiadUSA.com](http://www.AmiadUSA.com)

1-800-24-FILTER

